

Polarization Maintaining Optical Circulator

Product Features

- High Isolation
- Low Insertion Loss
- High Extinction Ratio
- Excellent Stability and Reliability



Product Applications

- Research
- Fiber Sensors
- Coherent Detecting
- Fiber Optic instruments

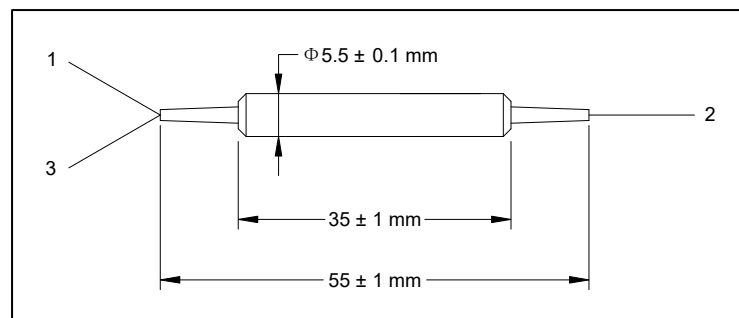
Specifications

| Parameter | Unit | Type A | Type B |
|------------------------------------|------|--------------|----------|
| Central Wavelength (λ_c) | nm | 1310 or 1550 | |
| Operating Wavelength Range | nm | ± 30 | ± 20 |
| Insertion Loss, λ_c , 23°C | Typ. | 0.7 | 0.6 |
| | Max. | 0.9 | 0.8 |
| Peak Isolation | Typ. | 52 | 40 |
| Isolation, λ_c , 23°C | Typ. | 46 | 30 |
| Isolation, 23°C | Min. | 40 | 20 |
| Extinction Ratio | Min. | 22 | 20 |
| Crosstalk | Min. | 50 | |
| Return Loss | Min. | 50 | |
| Optical Power (Continuous Wave) | Max. | 300 | |
| Tensile Load | Max. | 5 | |
| Operating Temperature | °C | -5 to +70 | |
| Storage Temperature | °C | -40 to +85 | |

IL is 0.3 dB higher, RL is 5 dB lower, and ER is 2 dB lower for each connector added. Connector key is aligned to slow axis.

The routes incoming signals from Port 1 to Port 2, and incoming Port 2 signals to Port 3.

Package Dimensions



Ordering Information

| P | M | O | C | I | R | | | | | | |
|----------------------|----------------------|----------------------------|--|---------------|-----------------------------|--|--|--|--|--|--|
| Wavelength | Type | Package | Pigtail | Fiber Type | Fiber Length | Connector | | | | | |
| 4=1550nm 7=1310nm | A=Type A B=Type B | C= \varnothing 5.5 x L35 | S=250 μ m bare fiber pigtail M=0.9mm loose tube | E=Panda fiber | 0=0.5m 1=0.75m 2=1.0m | 0=None 3=FC/APC 5=SC/APC 7=FC/UPC 8=SC/UPC | | | | | |

Note: All specifications are before connectors and are subject to change without notice.