

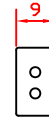
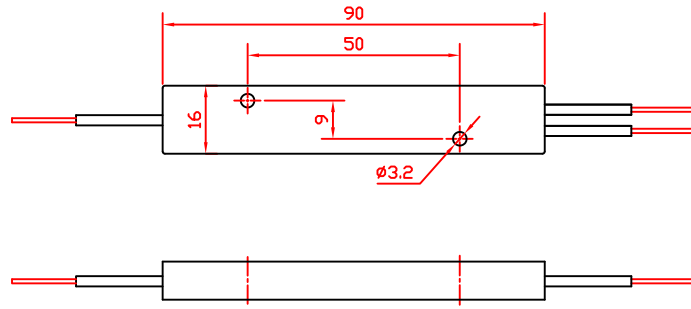
Appendix: Package Size

No	Code	Dimensional Drawing
1	S2	
2	S3	
3	S4	
4	S5	
5	S6	
6	S7	
7	S8	
8	S9	
9	S10	
A	S11	
B	S12	
C	S13	

No Code Dimensional Drawing

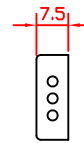
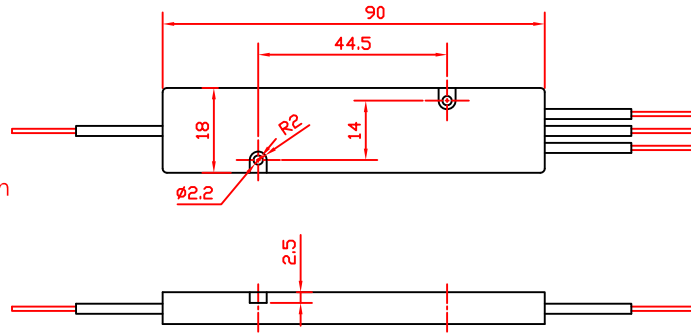
D

M1 (ABS)



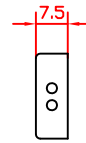
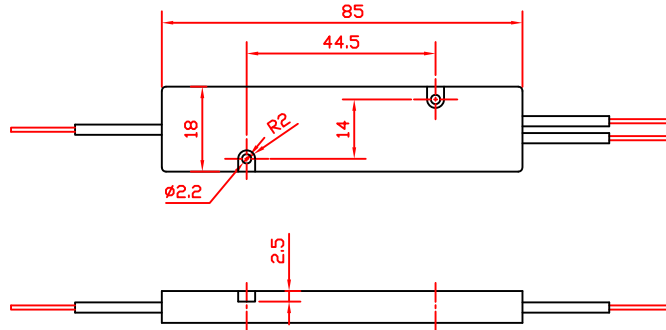
E

M2 Alloy Aluminum



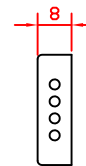
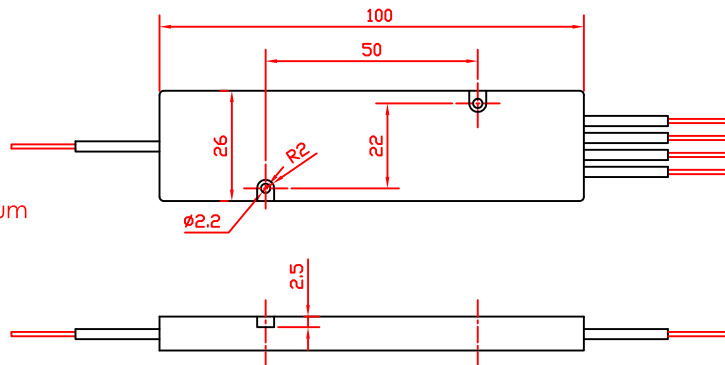
F

M3 Alloy Aluminum



G

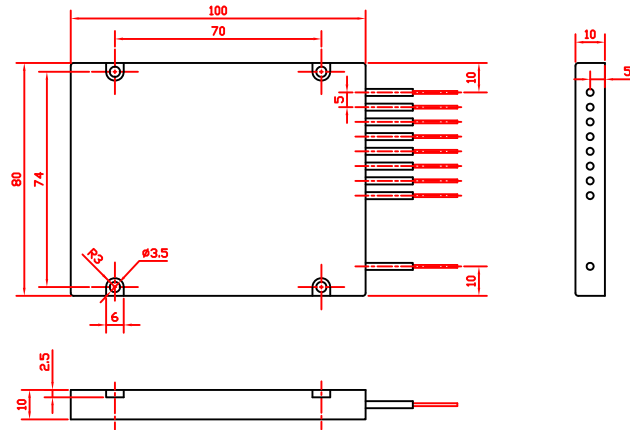
M4 Alloy Aluminum



No Code Dimensional Drawing

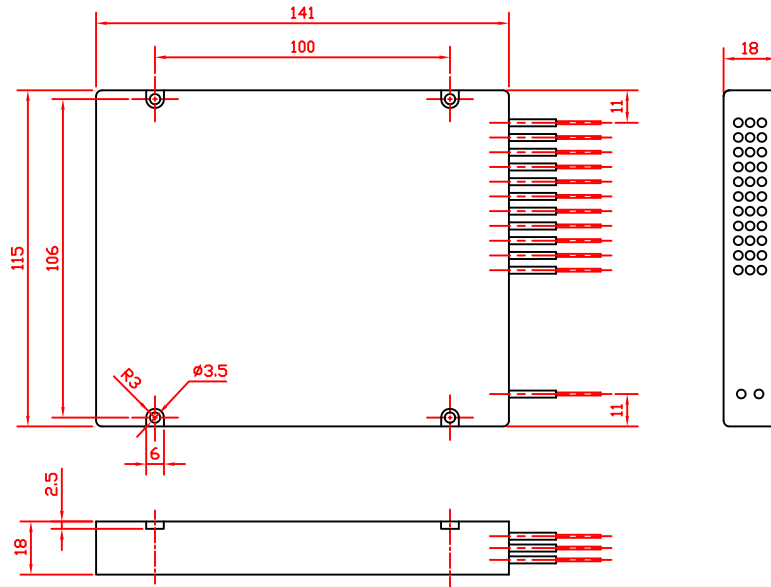
H

M5
ABS



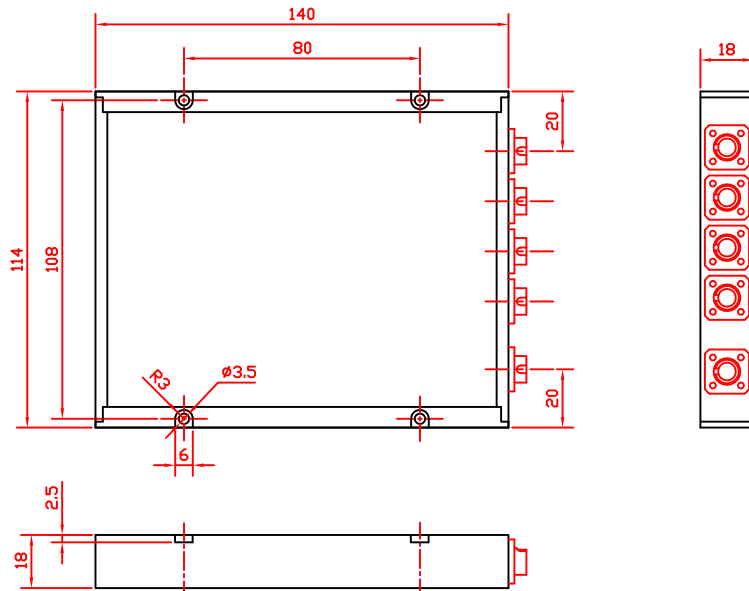
I

M6
ABS



J

M7
Alloy Aluminum



No

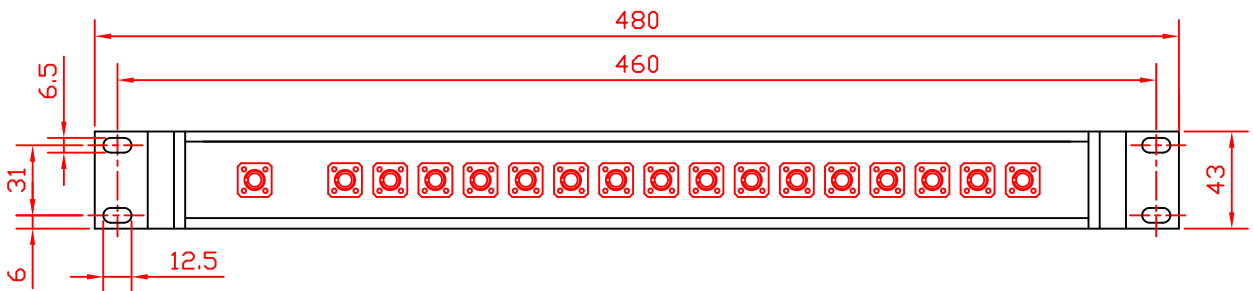
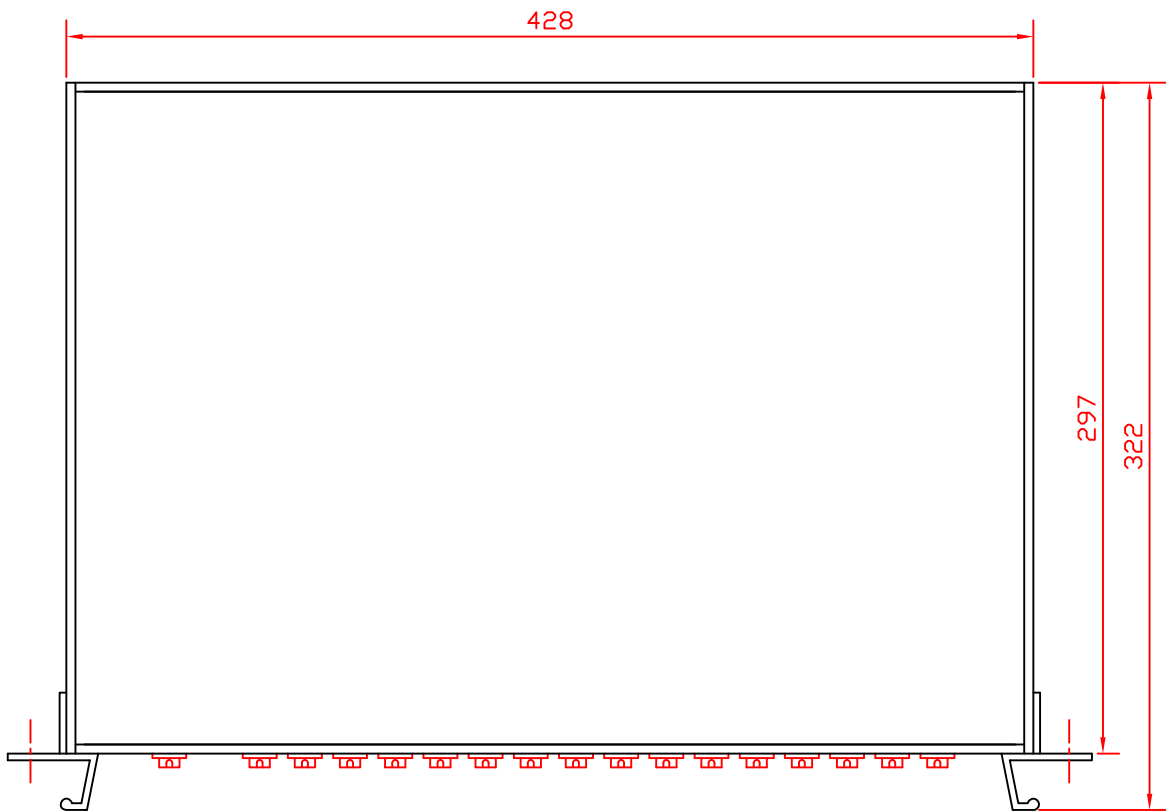
Code

K

M8

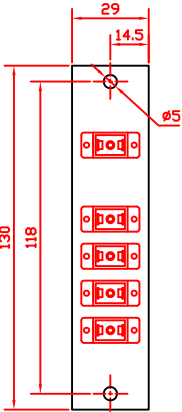
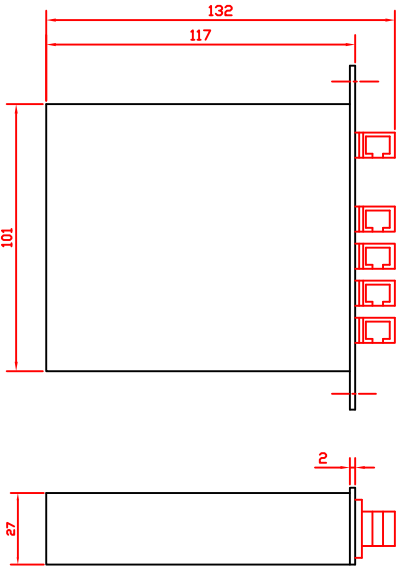
Alloy Aluminum

Dimensional Drawing



No Code Dimensional Drawing

M LGX M10
Alloy Aluminum



N LGX M11
Alloy Aluminum

